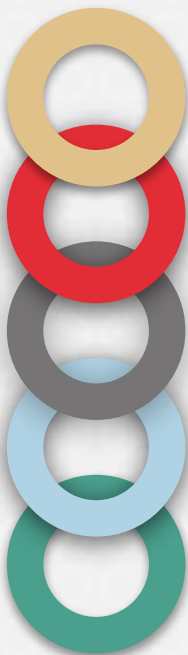


ACCU-SYNC™

VALVE PRESSURE REGULATOR

FIXED



Hunter®
THE IRRIGATION INNOVATORS

ACCU-SYNC™

AS-20, 30, 40, 50, or 70






Regulating pressure saves water and extends the life of the irrigation system. Water savings is achieved by operating each zone at the best pressure for that equipment and application type. Accu-Sync ensures that every zone in every system stays in check for maximum water savings and longevity.



adjustable
model available

instructions inside

FIXED MODELS

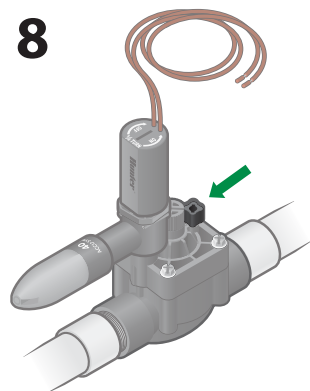
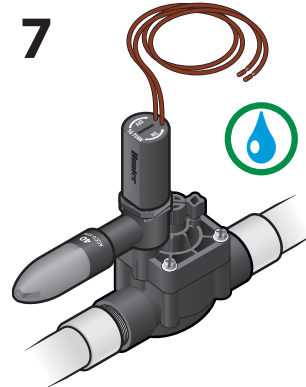
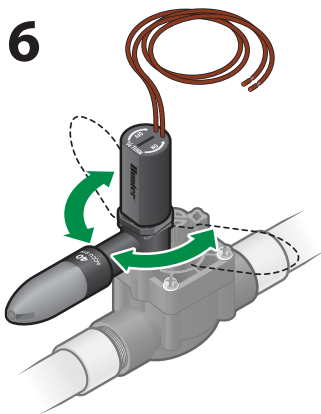
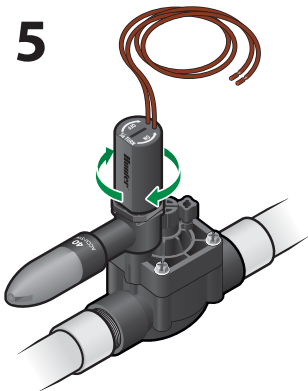
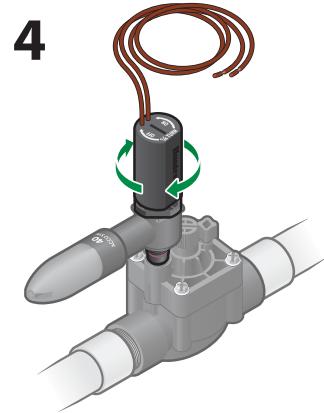
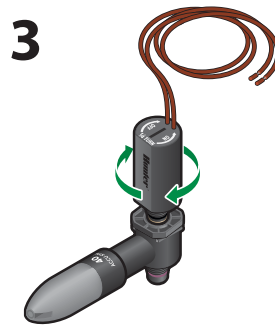
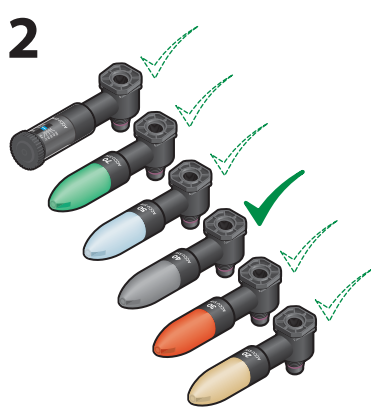
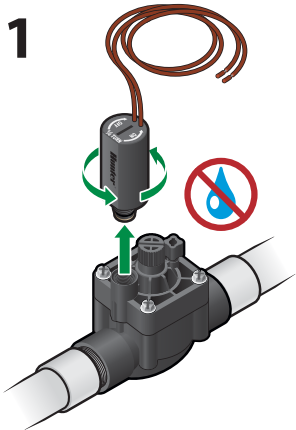
-  **AS-20: 20 PSI (1.4 bar)**
Application: Point source micro irrigation
-  **AS-30: 30 PSI (2.1 bar)**
Application: Spray systems
-  **AS-40: 40 PSI (2.8 bar)**
Application: MP Rotator and large drip systems
-  **AS-50: 50 PSI (3.5 bar)**
Application: Mid-range rotors
-  **AS-70: 70 PSI (4.8 bar)**
Application: Large rotors

Compatible with all
Hunter valves.

Consult our catalog or
brochure for Accu-Sync and
valve flow rate and size
compatibility.



Hunter®
THE IRRIGATION INNOVATORS



Locate the **external** bleed plug, and open to remove any air.