

# 1" Short Manual Disc Filter

## Features

- Precise disc filtration
- Durable filter element
- All plastic-corrosion free

## Manual Filters



## Technical Data

	METRIC		US	
Connection diameter	mm	25	in	1
Filtration surface area	cm <sup>2</sup>	308	in <sup>2</sup>	48
Filtration volume	cm <sup>3</sup>	370	in <sup>3</sup>	22
Pressure rating	bar	10	psi	145
Max. temp.	°C	70	°F	158

## Maximum Filtration Flow Rate / Water Quality

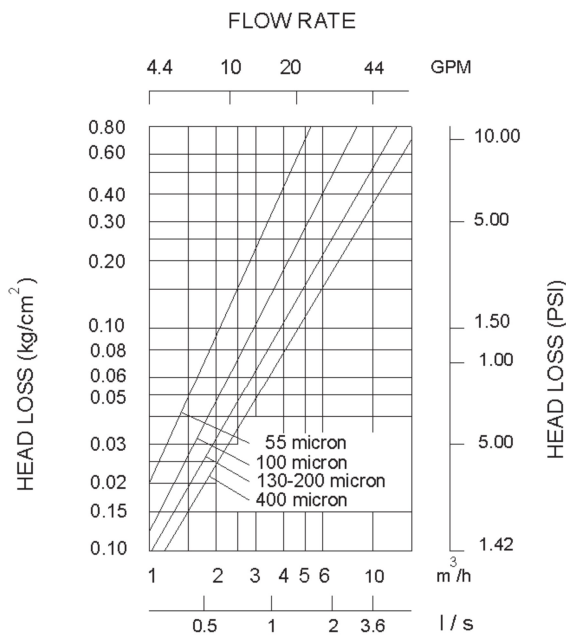
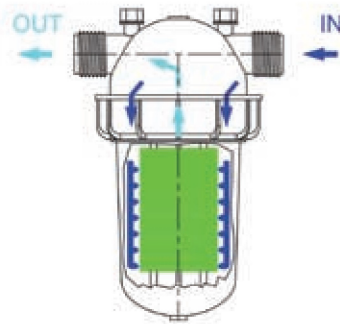
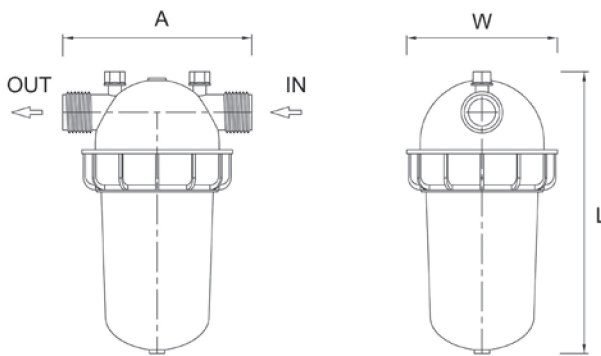
Filtration Grade	Water Quality	m <sup>3</sup> /h	gpm
400-130 μ	Good	6	26.5
	Average	4.5	20
55 μ	Good	4.2	18.5
	Average	3.15	14

# 1" Short

## Manual Disc Filter

### Dimensions and Weights

D Inlet/Outlet diameter	mm	25	inch	1
L Length	mm	233	inch	9 3/16
W Width	mm	130	inch	5 3/32
A	mm	158	inch	6 7/32
Shipping weight (approx.)	kg	1.1	lbs	2.4



**1" Short is available in:**  
Polyamide or Polypropylene.