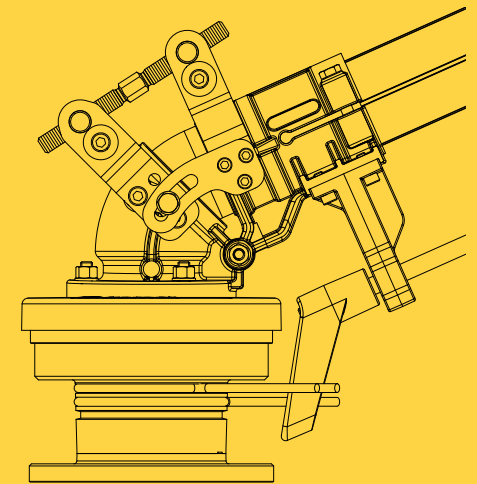


Operating Instructions

**komet** | *Twin*

**Komet Vari-Angle  
Continuous Adjustment**



> Installation Instructions



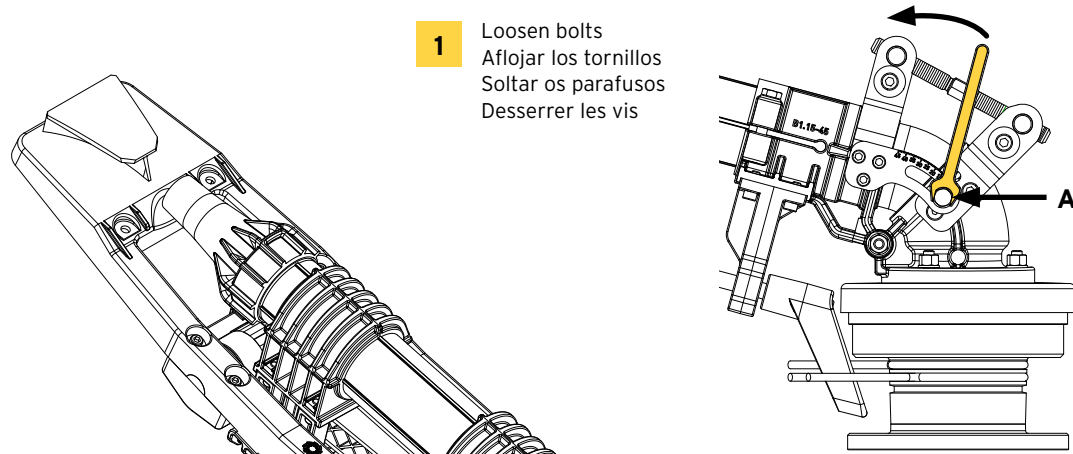
English, Español, Português, Français

[www.kometirrigation.com](http://www.kometirrigation.com)

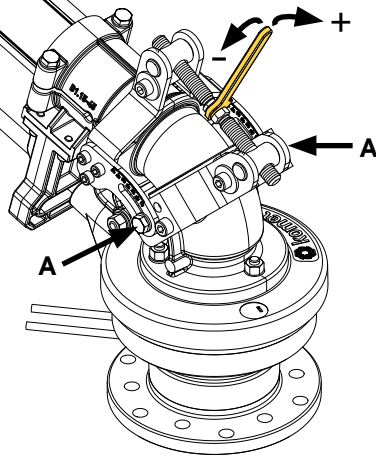
**THE KOMET ADVANTAGE:**  
INNOVATION WITH IMPACT

## Komet Vari-Angle - Continuous Adjustment - Operating Instructions

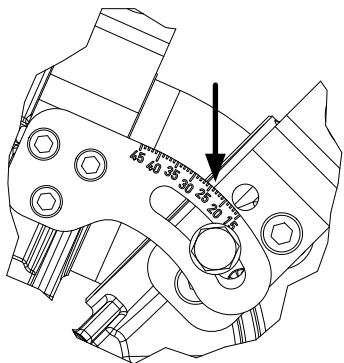
- 1** Loosen bolts  
Aflojar los tornillos  
Soltar os parafusos  
Desserrer les vis



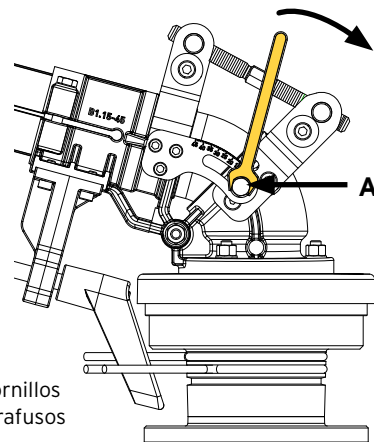
- 2** Adjust trajectory angle  
Ajustar ángulo de trayectoria  
Ajustar o ângulo da trajetória  
Ajuster l'angle de trajectoire



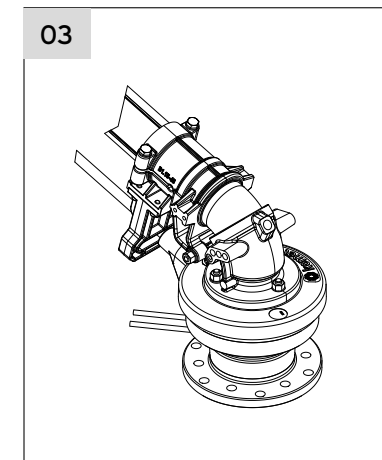
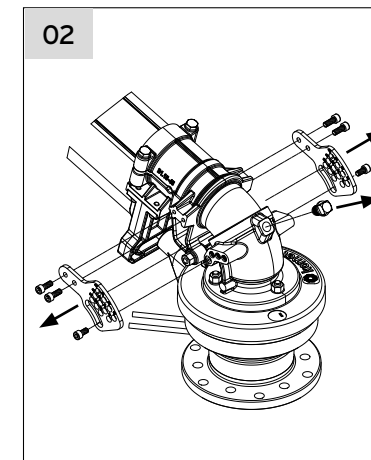
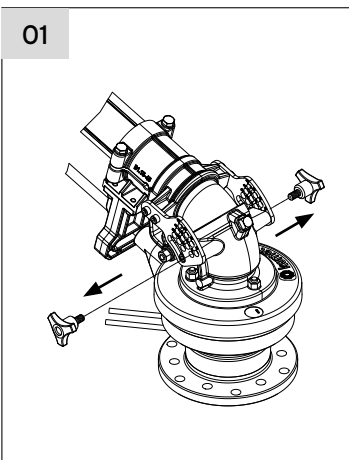
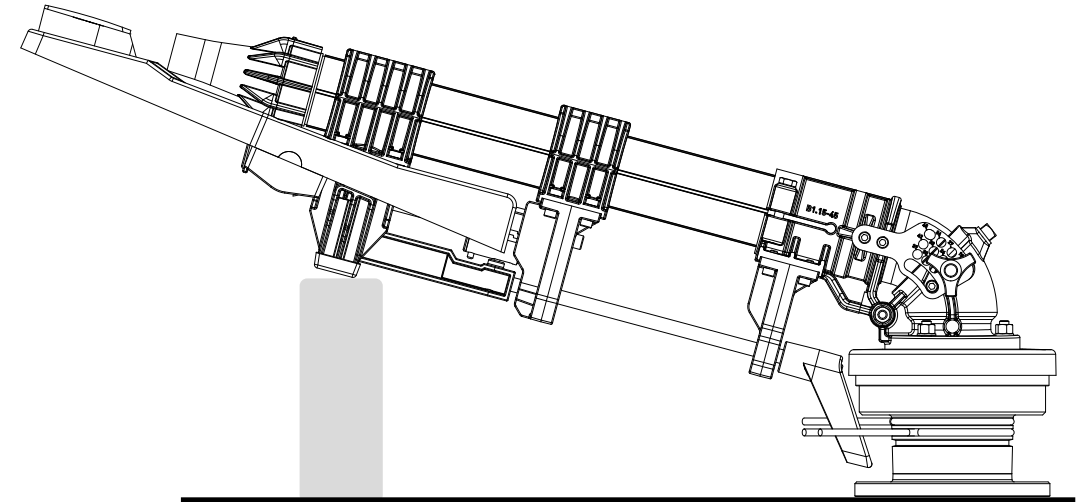
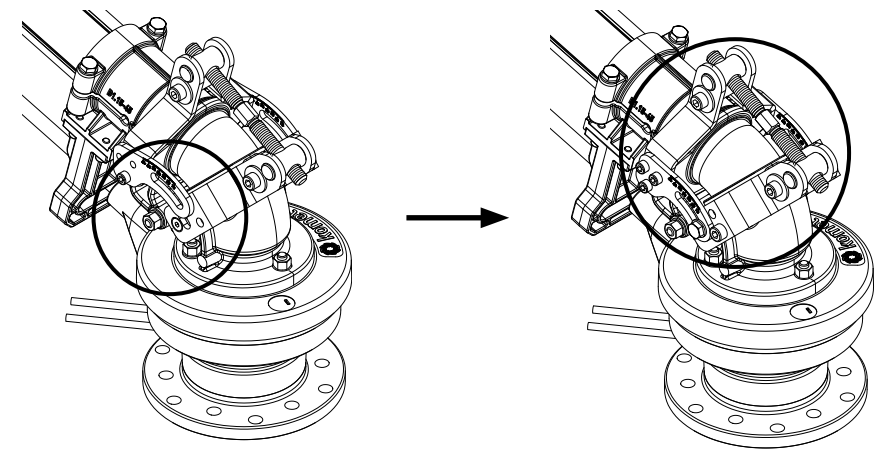
- 3** Select trajectory angle  
Seleccionar ángulo de trayectoria  
Selecionar ângulo da trajetória  
Sélectionner l'angle de trajectoire



- 4** Tighten bolts  
Apriete los tornillos  
Aperte os parafusos  
Serrer les vis



## Komet Vari-Angle - Continuous Adjustment - Installation Instructions



# Komet Vari-Angle - Continuous Adjustment - Installation Instructions

